

CONTENTS

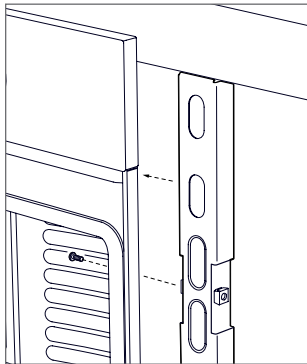
- | | |
|---|---------------------|
| 1 | Bracket |
| 2 | Screw, #8-32 x 1/2" |
| 4 | Screw, #6 x 1/2" |

⚠ WARNING

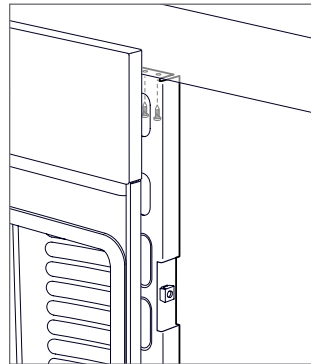
To maintain appropriate air flow, the ovens must be installed into one opening. Any cosmetic or structural material placed between the ovens will impede airflow and is not recommended.

BRACKET INSTALLATION

- 1 Install one unit into the left side of the opening.
- 2 Place the bracket behind the oven side trim and attach using one #8-32 x 1/2" screw.
- 3 Secure the bracket to the top and bottom of the opening using the #6 x 1/2" screws provided.

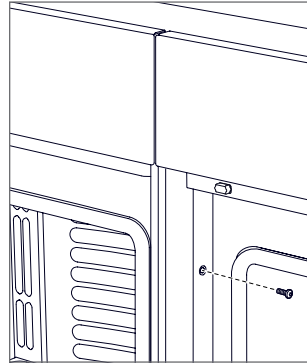


Attach bracket.



Secure bracket.

- 4 Install the second oven, then inset the other #8-32 x 1/2" screw to secure to the bracket.



Attach bracket.

