

Panel Installation

For tall models, the door panel should be installed first followed by the upper then lower drawer panels.

Partially insert a #8 x 32 x 1/2" screw in the center hole on each side of the top set of holes for each panel.

Open the door/drawer and use the positioning screws to support and align the panel with the mounting brackets on each side of the door. Refer to the illustration below.

Install the remaining #8 x 32 x 1/2" screws through the brackets into the door panel, but do not tighten completely.

CAUTION

As the reveal between cabinets and the unit decreases, the potential exists for severe finger pinching if fingers are placed in the opening when the door is closing.

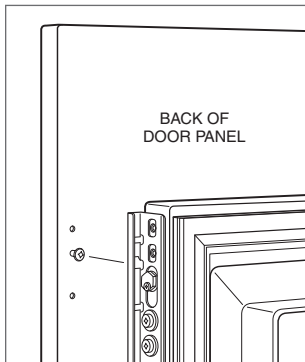
Panel Adjustment

After panels have been mounted, adjustments can be made to align the panels.

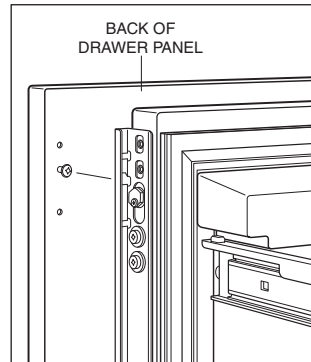
Side to side adjustment can be made by shifting the panels then tightening all screws.

Cams located in each corner allow for in and out adjustment. Cams located in the center of the door and drawers allow for vertical adjustment. To make adjustments, loosen the screws that secure the panel mounting bracket to the side of the door or drawer.

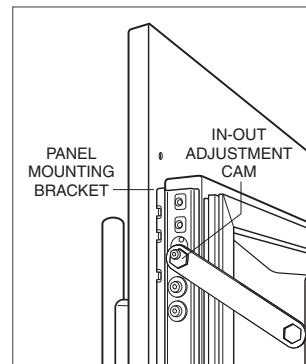
With the screws loosened, use the supplied wrench to rotate the necessary cam(s) to make adjustments. Refer to the illustrations below. After adjustments are made, tighten all screws.



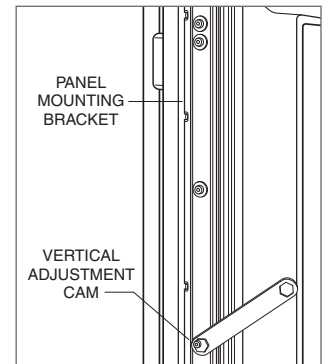
Door panel mounting.



Drawer panel mounting.



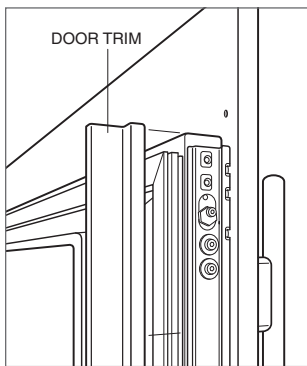
In-out panel adjustment.



Vertical panel adjustment.

Trim Installation

After panels have been properly aligned, install side trim. To install, align the trim with the bracket on the side of the door or drawer and snap into position. Refer to the illustration below.



Door side trim.

