



# Outdoor Access Doors Installation

wolfappliance.com 800.222.7820

## CONTENTS

- 1 Assembly, access doors

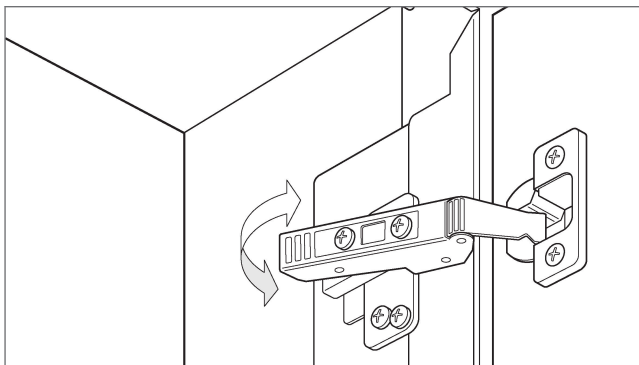
**Note:** Mounting hardware is not provided. Use mounting screws manufactured specifically for the enclosure material e.g. wood, metal, brick, or stone. The mounting holes accommodate a #10 screw.

## OUTDOOR ACCESS DOORS INSTALLATION

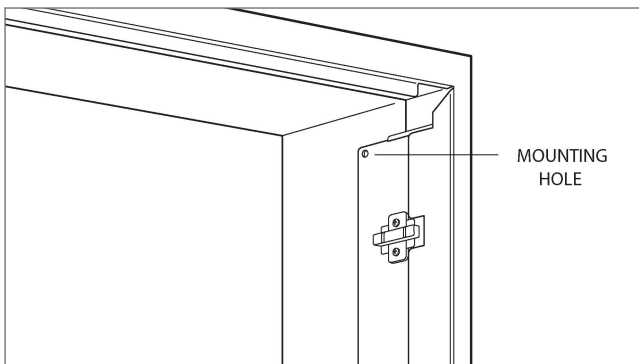
- 1 Verify the opening dimensions.

ACCESS DOORS		
DESCRIPTION	WIDTH	HEIGHT
18" Single	16 1/4"	19"
30" Double	28 1/4"	19"
36" Double	34 1/4"	19"
42" Double	40 1/4"	19"
54" Double	52 1/4"	19"

- 2 Rotate the back of the hinge away from the frame, then remove the door(s).



- 3 Place the frame inside the opening.
- 4 Verify the frame is level, then secure the frame to the opening.



- 5 Install the door(s).

- 6 Rotate the hinge adjustment screws to align the doors.

