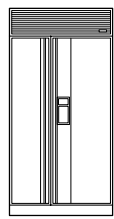


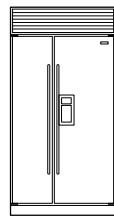


## Model 680

### BUILT-IN REFRIGERATION



Model 680/F  
Framed



Model 680/S (P/B)  
Stainless Steel  
(three finishes  
available)

Front Venting allows unit to be completely built in

Serial and Model Number Plate

Automatic Ice Maker

Freezer Utility Rack

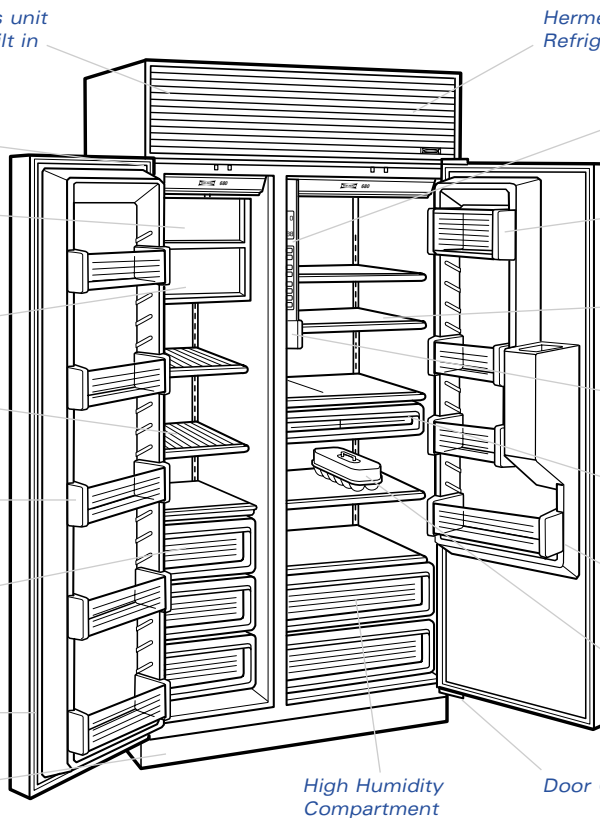
Adjustable Wire Shelves

Adjustable Door Shelves

Roll-Out Freezer Baskets

Four-Sided Magnetic Gaskets

Removable Toe Plate



Hermetically Sealed Refrigeration Units

Lighted Electronic Control Panel

Adjustable Dairy Compartment

Adjustable Drip-proof Glass Shelves

Bulk Ice Dispenser

Adjustable Roll-Out Utility Basket

Adjustable Door Shelves

Egg Tray

High Humidity Compartment

Door Closers



Sub-Zero offers only two different models with ice and water dispensing through the door. This unit is 42-inches wide and the dispenser is placed on the refrigerator door so you do not have the large component staring at you from the freezer side. It's a small difference, but very significant when you think about ordering multiple panels and the possible water damage from spilled water in the dispenser area.

### MODEL 680

- ▶ Side by side refrigerator/freezer with ice and water dispensing.
- ▶ Sub-Zero's dual refrigeration system ensures the freshest food and energy efficiency.
- ▶ Shallow-depth design means access is easy to any area of the refrigerator.
- ▶ Electronic controls are up front and easy to use.
- ▶ High-humidity compartment is large with smooth sides for easy cleaning. There's even an added storage drawer.
- ▶ A door alarm will let you know with an audible beeping if your refrigerator or freezer door is left ajar.
- ▶ Automatic ice maker provides an ample supply of crescent-shaped ice. Also has a bulk ice dispenser.
- ▶ Optional grilles are available in one-inch height increments from 10" to 15" (11-inch grille is standard).
- ▶ Exceeds strict Department of Energy requirements.



## Model 680

### SPECIFICATIONS



#### DESIGN OPTIONS ▼

Framed	Model 680/F
Classic Stainless Steel	Model 680/S

#### PREMIUM FINISHES

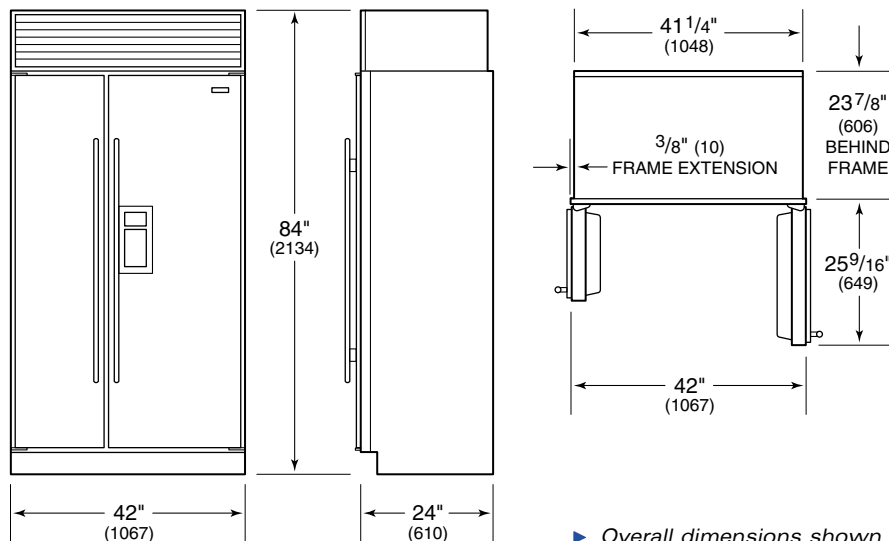
- ▶ Platinum Stainless Steel
- ▶ Carbon Stainless Steel
- ▶ *You must allow 90 days from order to delivery for premium finishes.*

#### SPECIFICATIONS ▼

Style	Side by Side Refrigerator / Freezer with Ice and Water Dispensing
Overall Width	42" (1067 mm)
Overall Height	84" (2134 mm)
Overall Depth	24" (610 mm)
Refrigerator Capacity	15.6 cu. ft. (441.7 L)
Freezer Capacity	8.2 cu. ft. (232.2 L)
Minimum Height (levelers in)	82 <sup>7</sup> / <sub>8</sub> " (2105 mm)
Door Swing Clearance	25 <sup>9</sup> / <sub>16</sub> " (649 mm)
Electrical Requirements	115 V AC, 60 Hz, 15 amp circuit
Plumbing Requirements	1/4" copper line
Water Supply	20-100 psi
Annual Energy Usage (based on 8.29 cents per kilowatt hour)	698 kwh / \$58
Shipping Weight (Framed)	569 lbs
Shipping Weight (Stainless Steel)	608 lbs
Special Note	Overlay design is not available for Model 680

- ▶ *Specifications are subject to change without notice.*

#### OVERALL DIMENSIONS ▼



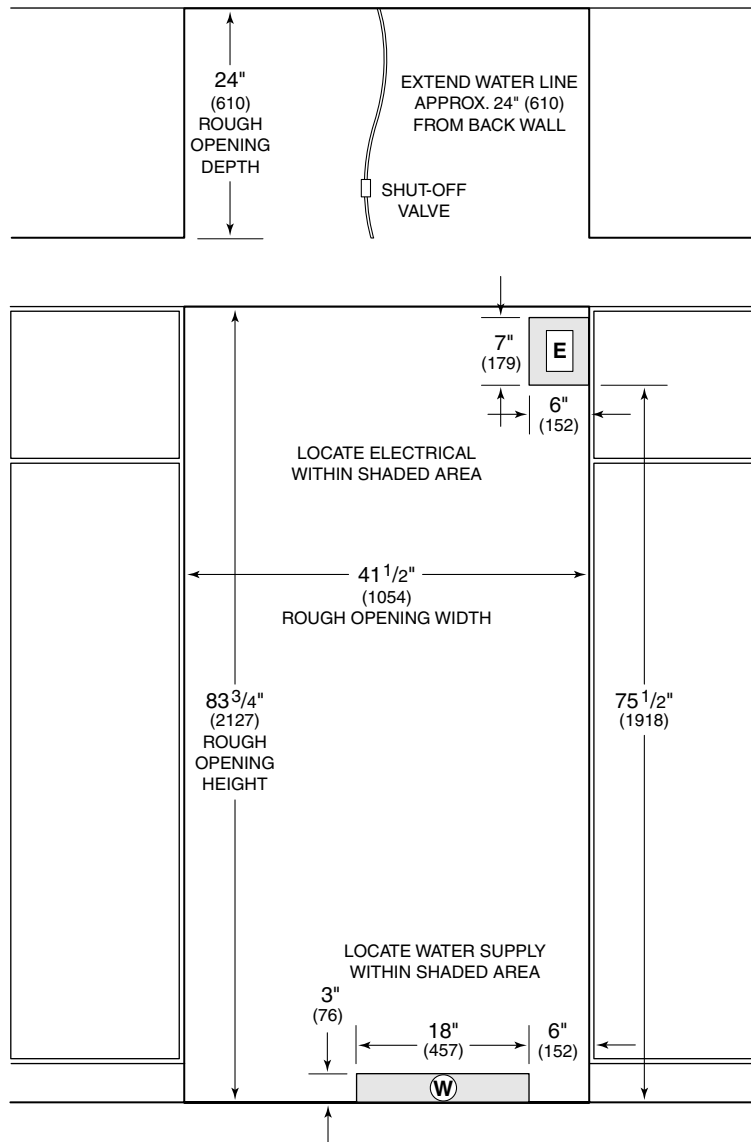
- ▶ *Overall dimensions shown in stainless steel design.*
- ▶ *Dimensions in parentheses are in millimeters.*



## Model 680

### INSTALLATION

600  
SERIES



▶ Dimensions may vary by  $\pm 1/8"$  (3 mm).

▶ Dimensions in parentheses are in millimeters.

#### DIMENSIONS

Finished Rough Opening Width	41 1/2" (1054 mm)
Finished Rough Opening Height	83 3/4" (2127 mm)
Finished Rough Opening Depth	24" (610 mm)
Location of Electrical	Within upper shaded area
Location of Water Supply	Within lower shaded area

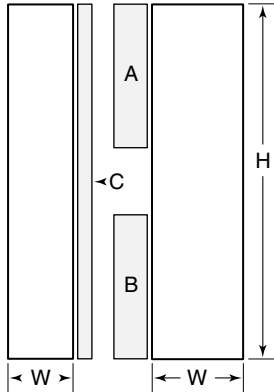
▶ See Installation Instructions shipped with unit for detailed specifications.



## Model 680

### PANEL SPECIFICATIONS

600  
SERIES



► Framed Door Panels

### PANEL SPECIFICATIONS

Refer to the "600 Series General Applications" section for detailed illustrations on framed panel applications.

An 11-inch louvered grille is standard on framed applications. Optional louvered grilles are available in one-inch height increments from 10" to 15". Refer to the "600 Series General Applications" section for details.

Overlay panel application is not available on Model 680.

### FRAMED PANEL DIMENSIONS ▼

Refrigerator Door Panel	16 <sup>7</sup> / <sub>8</sub> "W x 67 <sup>11</sup> / <sub>16</sub> "H
Freezer Door Panel	12 <sup>13</sup> / <sub>16</sub> "W x 67 <sup>11</sup> / <sub>16</sub> "H
Trim Panel A (refrigerator)	6 <sup>7</sup> / <sub>8</sub> "W x 25 <sup>7</sup> / <sub>32</sub> "H (.05" thick)
Trim Panel B (refrigerator)	6 <sup>7</sup> / <sub>8</sub> "W x 31 <sup>7</sup> / <sub>32</sub> "H (.05" thick)
Trim Panel C (freezer)	2 <sup>9</sup> / <sub>16</sub> "W x 67 <sup>11</sup> / <sub>16</sub> "H (.05" thick)

► See Installation Instructions shipped with unit for detailed specifications.