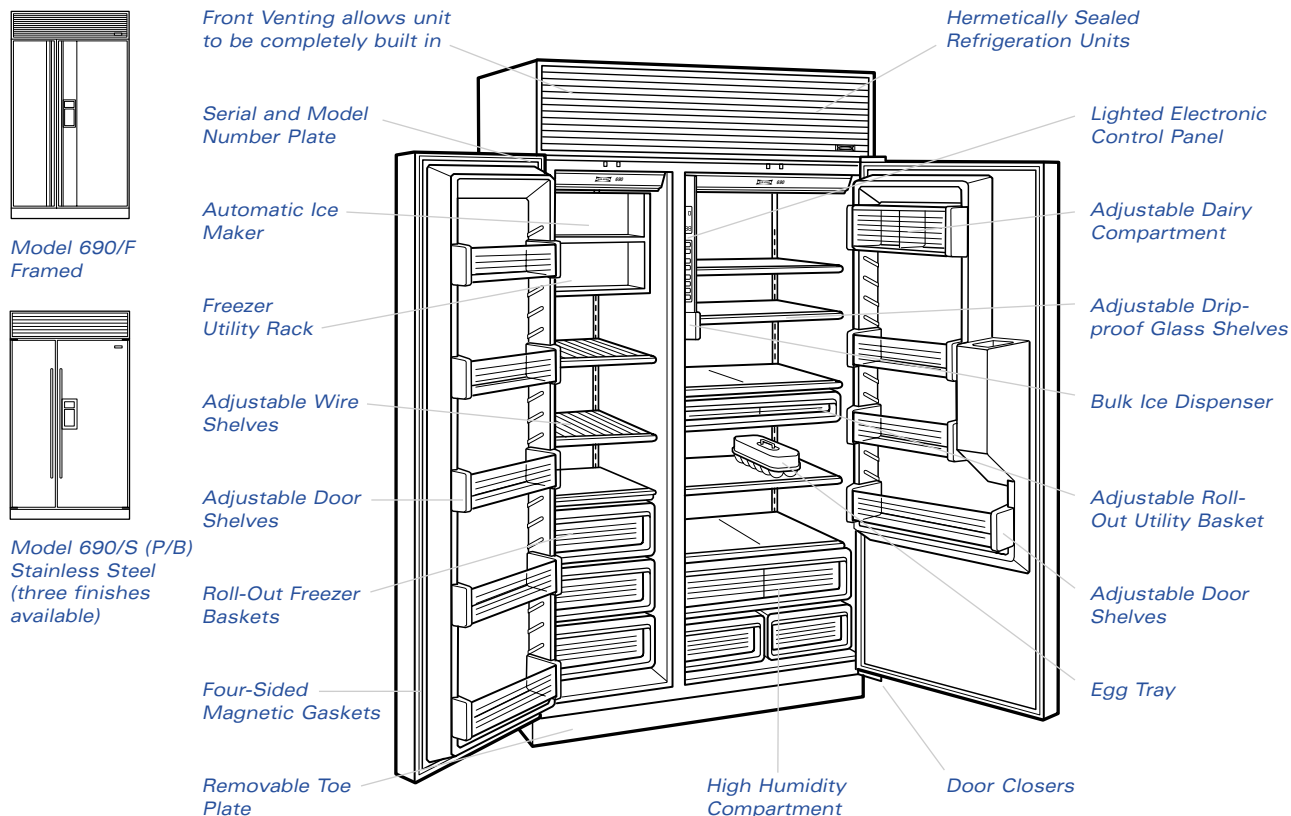




Model 690

BUILT-IN REFRIGERATION



When you look at the beauty of this model from the exterior, you can easily see why we placed the ice and water dispenser on the refrigerator door. This design allows beautiful vertical panels to complement the vertical lines of this unit. If the dispenser were on the freezer door, there would be complications for additional panels and difficulties when water migrates to the beautiful wood panels below the dispenser.

MODEL 690

- ▶ Side by side refrigerator/freezer with ice and water dispensing.
- ▶ Sub-Zero's dual refrigeration system ensures the freshest food and energy efficiency.
- ▶ Shallow-depth design means access is easy to any area of the refrigerator.
- ▶ Electronic controls are up front and easy to use.
- ▶ High-humidity compartment is large and deep with removable divider and smooth sides for easy cleaning. There are even two added storage drawers.
- ▶ A door alarm will let you know with an audible beeping if your refrigerator or freezer door is left ajar.
- ▶ Automatic ice maker provides an ample supply of crescent-shaped ice. Also has a bulk ice dispenser.
- ▶ Optional grilles are available in one-inch height increments from 10" to 15" (11-inch grille is standard).
- ▶ Exceeds strict Department of Energy requirements.



Model 690

SPECIFICATIONS



DESIGN OPTIONS

| | |
|-------------------------|-------------|
| Framed | Model 690/F |
| Classic Stainless Steel | Model 690/S |

PREMIUM FINISHES

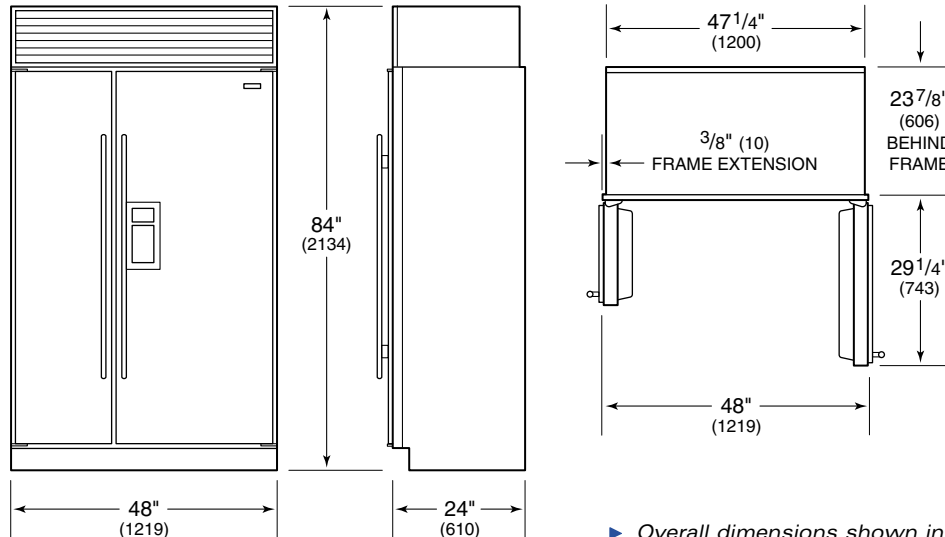
- ▶ Platinum Stainless Steel
- ▶ Carbon Stainless Steel
- ▶ *You must allow 90 days from order to delivery for premium finishes.*

SPECIFICATIONS

| | |
|---|---|
| Style | Side by Side Refrigerator/Freezer with Ice and Water Dispensing |
| Overall Width | 48" (1219 mm) |
| Overall Height | 84" (2134 mm) |
| Overall Depth | 24" (610 mm) |
| Refrigerator Capacity | 18.2 cu. ft. (515.4 L) |
| Freezer Capacity | 9.8 cu. ft. (277.5 L) |
| Minimum Height (levelers in) | 82 ⁷ / ₈ " (2105 mm) |
| Door Swing Clearance | 29 ¹ / ₄ " (743 mm) |
| Electrical Requirements | 115 V AC, 60 Hz, 15 amp circuit |
| Plumbing Requirements | 1/4" copper line |
| Water Supply | 20-100 psi |
| Annual Energy Usage (based on 8.29 cents per kilowatt hour) | 751 kwh / \$62 |
| Shipping Weight (Framed) | 610 lbs |
| Shipping Weight (Stainless Steel) | 656 lbs |
| Special Note | Overlay design is not available for Model 690 |

- ▶ *Specifications are subject to change without notice.*

OVERALL DIMENSIONS



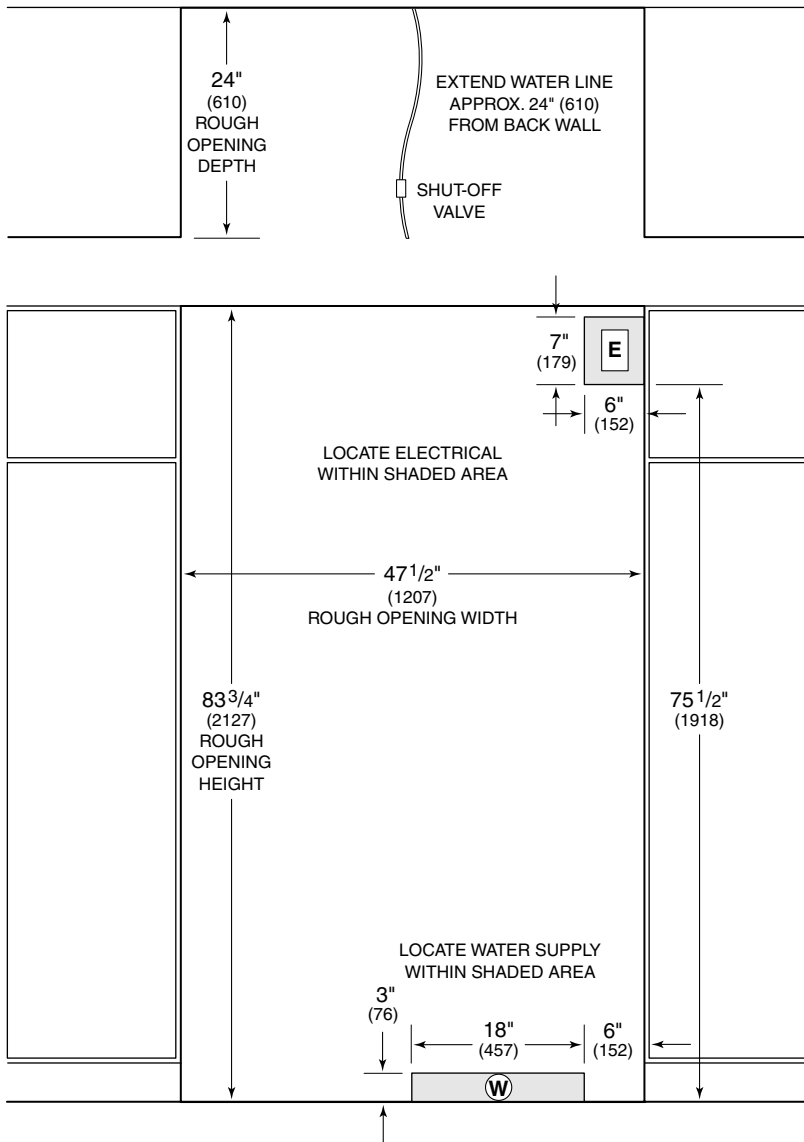
- ▶ *Overall dimensions shown in stainless steel design.*
- ▶ *Dimensions in parentheses are in millimeters.*



Model 690

INSTALLATION

600
SERIES



- ▶ Dimensions may vary by $\pm 1/8"$ (3 mm).
- ▶ Dimensions in parentheses are in millimeters.

DIMENSIONS

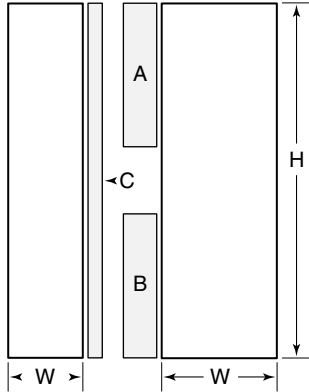
| | |
|-------------------------------|--------------------------|
| Finished Rough Opening Width | 47 1/2" (1207 mm) |
| Finished Rough Opening Height | 83 3/4" (2127 mm) |
| Finished Rough Opening Depth | 24" (610 mm) |
| Location of Electrical | Within upper shaded area |
| Location of Water Supply | Within lower shaded area |

- ▶ See Installation Instructions shipped with unit for detailed specifications.



Model 690

PANEL SPECIFICATIONS



► Framed Door Panels

PANEL SPECIFICATIONS

Refer to the "600 Series General Applications" section for detailed illustrations on framed panel applications.

An 11-inch louvered grille is standard on framed applications. Optional louvered grilles are available in one-inch height increments from 10" to 15". Refer to the "600 Series General Applications" section for details.

Overlay panel application is not available on Model 690.

FRAMED PANEL DIMENSIONS ▼

| | |
|-----------------------------|--|
| Refrigerator Door Panel | $20^{9/16}$ "W x $67^{11/16}$ "H |
| Freezer Door Panel | $15^{1/8}$ "W x $67^{11/16}$ "H |
| Trim Panel A (refrigerator) | $6^{7/8}$ "W x $25^{7/32}$ "H (.05" thick) |
| Trim Panel B (refrigerator) | $6^{7/8}$ "W x $31^{7/32}$ "H (.05" thick) |
| Trim Panel C (freezer) | $2^{9/16}$ "W x $67^{11/16}$ "H (.05" thick) |

► See Installation Instructions shipped with unit for detailed specifications.