

INSTALLATION INSTRUCTIONS FOR WOLF WARMING DRAWER (PRO SERIES) FRONT PANEL KIT

Pro Series Handle Drawer Front Kits:

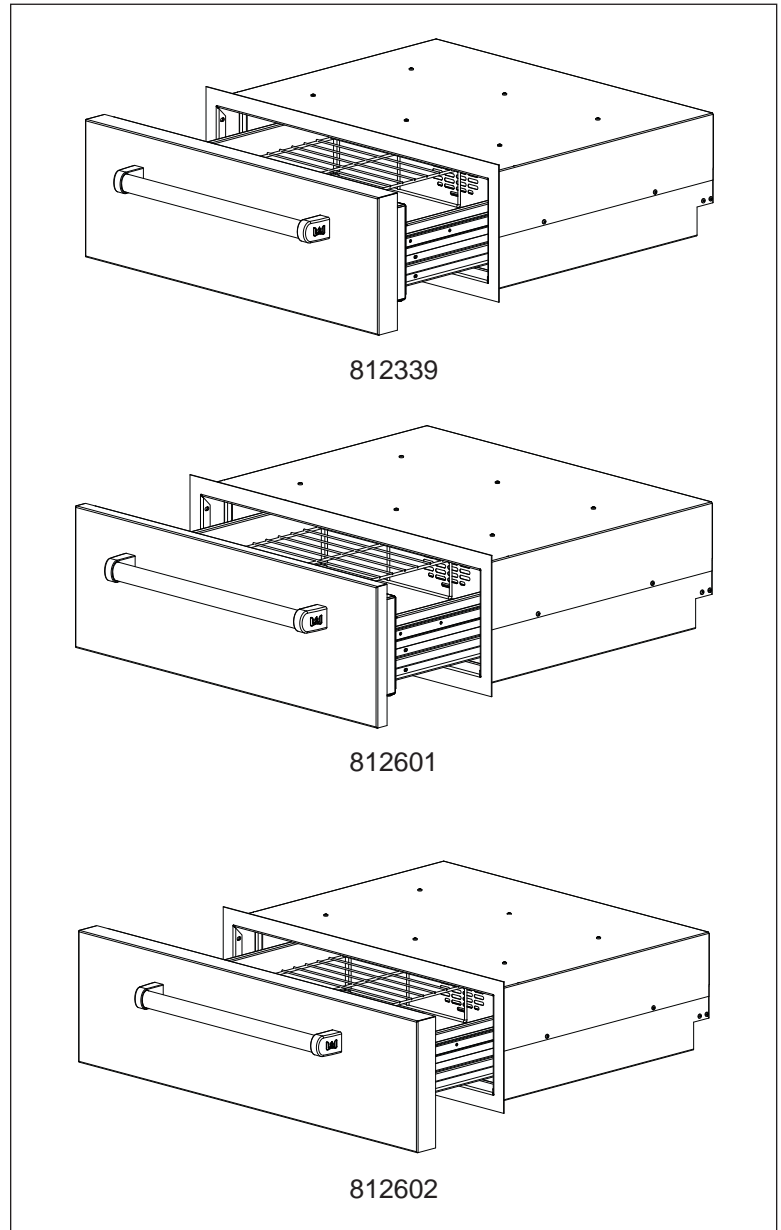
- 812339 Drwr Front, 30x1 W/ Pro Handle
 - 812601 Drwr Front, 30x2 W/ Pro Handle
 - 812602 Drwr Front, 36x2 W/ Pro HandleKit
- Contents, provided in the chart below.

Drawer Front Kit Contents	
Part Description	Quantity
Front Panel w/ Handle	1
Front Mount Panel	1
Rubber Bumpers	6
Front Panel Attachment Screws (8-18 x 1/2" Phillips)	6
Door Mount Panel Screws (8-32 x 3/8" Hex Head)	6
Handle Mounting Screws (8-32 x 5/8" Hex Head)	4

IMPORTANT NOTE: This front panel kit is designed for and approved only for use with Wolf Drawer (WWD30).

IMPORTANT NOTE: Please read these instructions carefully before beginning installation.

For any additional information, refer to the Use and Care Information and Installation instructions included with model WWD30.



Panel Views



Wolf Appliance, Inc. 800.332.9513

Page 1 of 2
If you have any questions, please contact Wolf Customer Service Department.
P.O. Box 44848 Madison, WI 53744 www.wolfappliance.com

812547 - Rev A - 05/2008

INSTALLATION INSTRUCTIONS FOR WOLF WARMING DRAWER (PRO SERIES) FRONT PANEL KIT

Procedure:

INSTALL FRONT MOUNT PANEL

1. If the unit has a factory installed Front Mount Panel, remove the panel via 6 hex head screws and discard. (If the unit does not have a factory installed Front Mount Panel, disregard this step)
2. Install the kit supplied Front Mount Panel with 6 - #8-32x3/8 hex head screws supplied in the kit.
3. Insert the 6 rubber bumpers into the exposed holes in the Front Mount Panel

INSTALL FRONT PANEL

Remove all packing materials from handle and front panel. Gently remove protective covering from stainless steel front panel. The adhesive covering should peel away from surfaces cleanly, but any remaining residue should be cleaned off with a mild detergent.

1. Slide top lip of front panel over drawer front. Insert 3 #8-18 x 1/2 Phillips screws in top of front panel lip through drawer front assembly and tighten screws.
2. Insert 3 #8-18 x 1/2 Phillips screws in bottom of front panel through drawer front assembly and tighten screws (See Figure 2).
3. Turn power off to electrical outlet.

INSTALL WARMING DRAWER

Slide left corner of warming drawer into opening. If electrical outlet is installed inside opening, plug power cord into outlet. Excess cord should be coiled behind or beside unit. If outlet is located in an adjacent cabinet, thread power cord through hole in cabinet wall. Push drawer back into opening until trim meets cabinet front. Make sure power cord does not get trapped under warming drawer.

IMPORTANT NOTE: Do not lift up on handle to push drawer into place. Doing so, could scratch control panel.

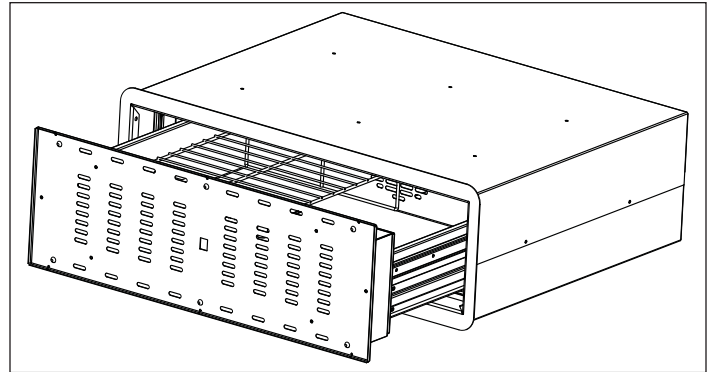


Figure 1

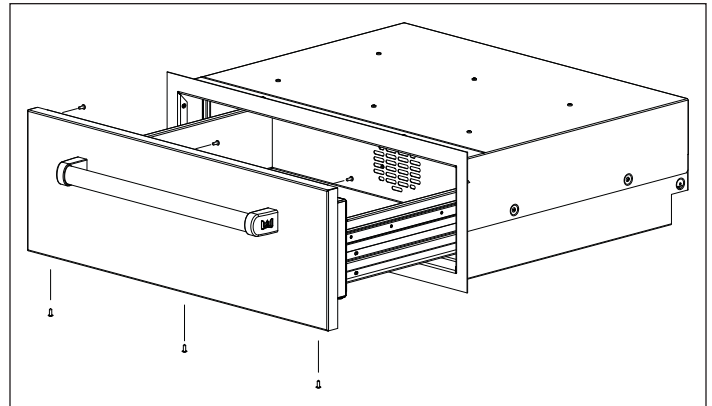


Figure 2